

**TECHTRAN POLYLENSES LTD**  
**HYDERABAD**

**DISPENSING GUIDE**

**VARTEK PRIMA**  
**(NORMAL CORRIDOR) PROGRESSIVE**

## *The "Vartek Prima" Progressive Lens*

"Prima" is the new progressive design from Techtran, which has been developed in the CAD/CAM system. It is designed to have low rates of change of power and low levels of astigmatism which provides good dynamic vision combined with generous intermediate and reading areas. Maximum astigmatism is located on the nasal side where most of it will be edged away.

Prima incorporates the following design features :

- q Soft Design, giving quicker adaptation between distance and mid-range viewing.
  
- q Wide corridor and reading area
  
- q Minimum recommended fitting height of 20mm from fit point to 100% full addition power.

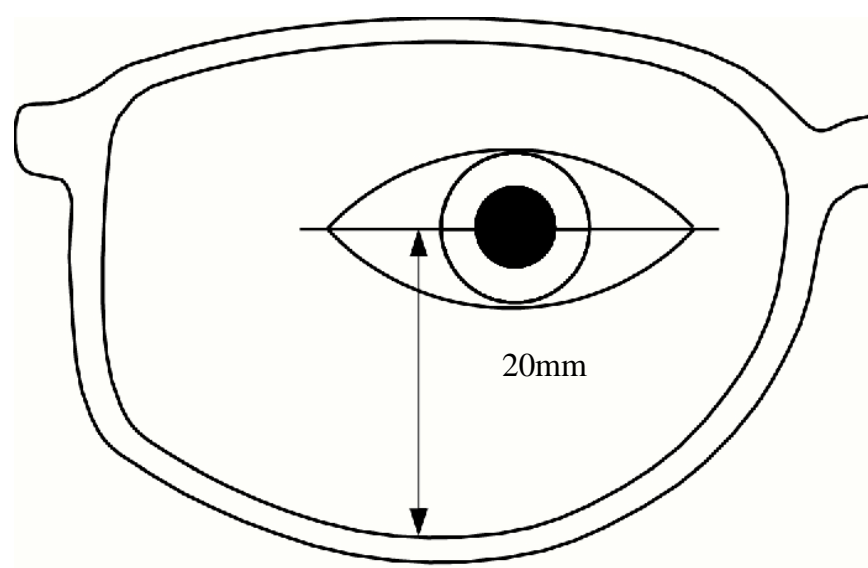
The computer designed surface is correctly orientated for both right and left eyes to ensure that horizontal symmetry occurs. This also minimises the aberration in the temporal area and provides superior optical performance.



## *Frame Selection for the Prima Progressives*

### **MINIMUM FRAME DEPTH**

In order to realise the full addition power of the reading area, a minimum frame depth of 20mm from the pupil fitting position (Figure 1) is required.



*Figure 1*

## MINIMISE BACK VERTEX DISTANCE

The largest possible field of view will be achieved by fitting the frame as close as possible to the eye. Therefore, the back vertex distance 'V' (Figure 2) should be made as small as possible.

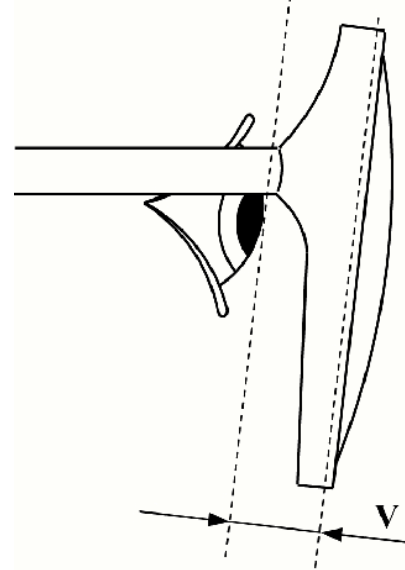


Figure 2

## INCREASE SIDE ANGLE

Again, in order to maximise use of the reading area, the Side Angle 'A' (Figure 3) should be greater than normal at  $10^{\circ}$  to  $20^{\circ}$ .

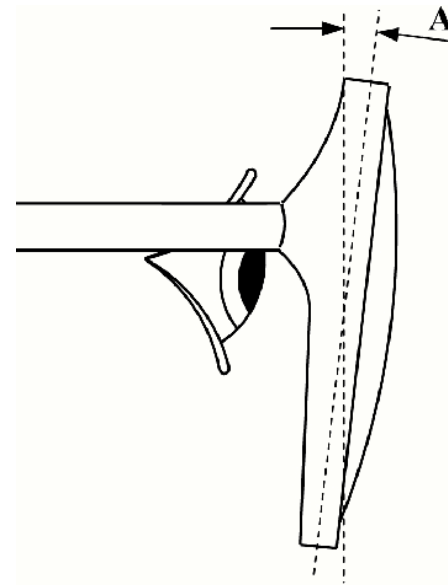
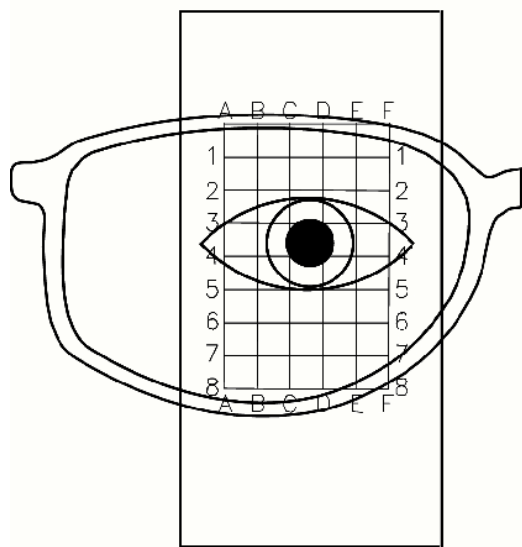


Figure 3

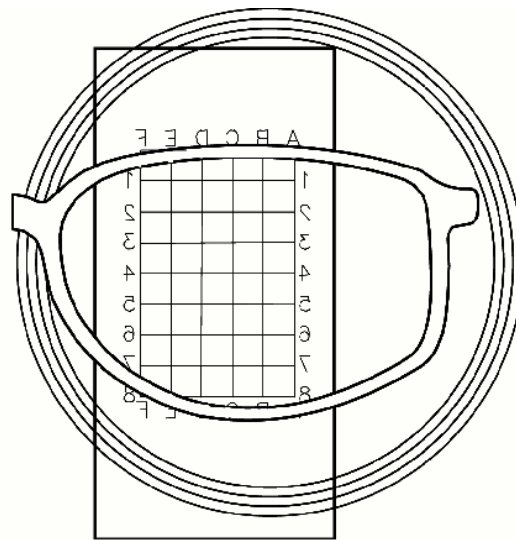
## ***Location and Measurement of Pupil Positions***

**This is easily carried out using the Frame Templates and Measurement Chart.**

- q Firstly, ensure that the frame to be used is 'straight'.
- q Attach the Frame Templates to the selected frame using the self-adhesive pads (Figure 4).
- q Instruct the patient to look into the distance.
- q Making sure you are on the same horizontal eye level as the patient, stand at arms length to the patient.
- q Close your left eye, cover the patient's right eye, instruct the patient to look at your right eye and note the grid position on the Frame Template. Do not mark the template whilst the patient is wearing the frame as this may cause the patient's eye to follow the pen and give an incorrect measurement. Repeat for the patient's left eye.
- q Remove the frame and mark the pupil positions as per the grid references noted.
- q Replace the spectacles to confirm the pupil positions.



*Figure 4*



*Figure 5*

q Keeping the Frame Templates in position (Figure 5), align the pupil position on the fitting cross of the lens cut-out circles appropriate to the material required on the measurement chart. Ensure that the frame shape is within the lens circle blank diameter.

q Place the centre of the frame (Figure 6) on the centre line of the Measurement Chart (and the pupil position of the left eye on the horizontal axis). Read the monocular pupil distance and then the pupil height from the lowest point of the inside bottom rim of the frame (Figure 7). Repeat for the right eye.

q Keep a note of these measurements for future reference.

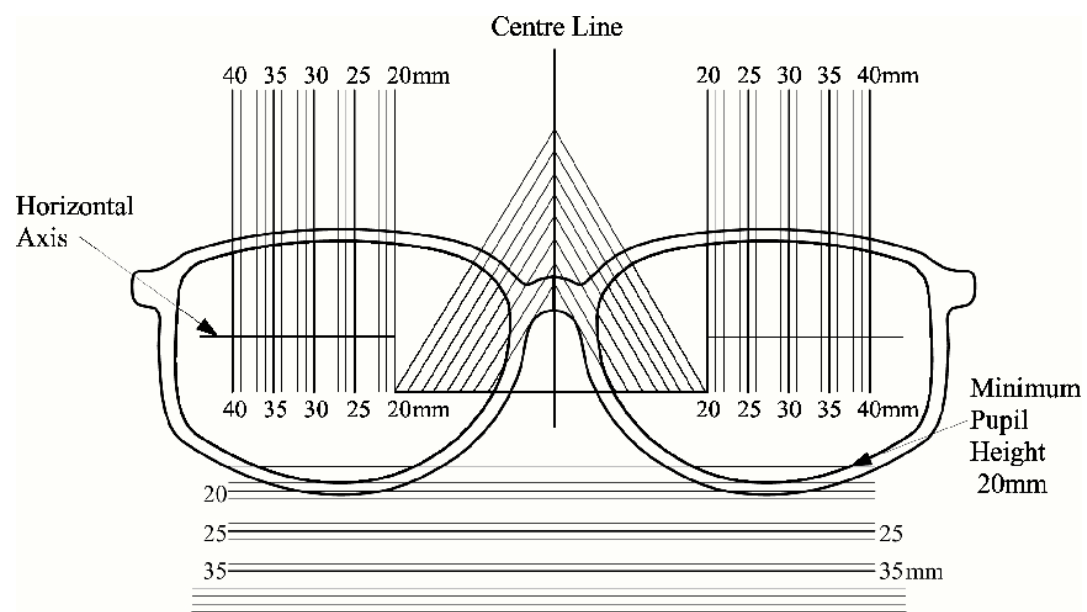


Figure 6

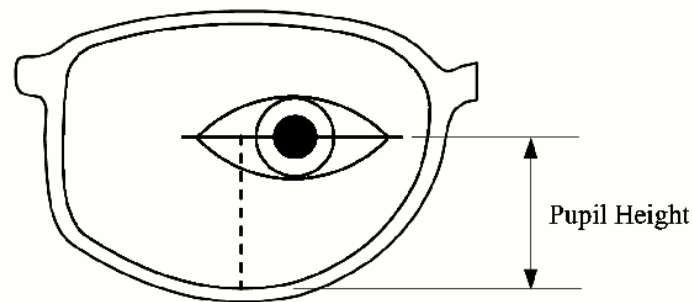


Figure 7

## ***"Prima" lens markings - Temporary & Permanent***

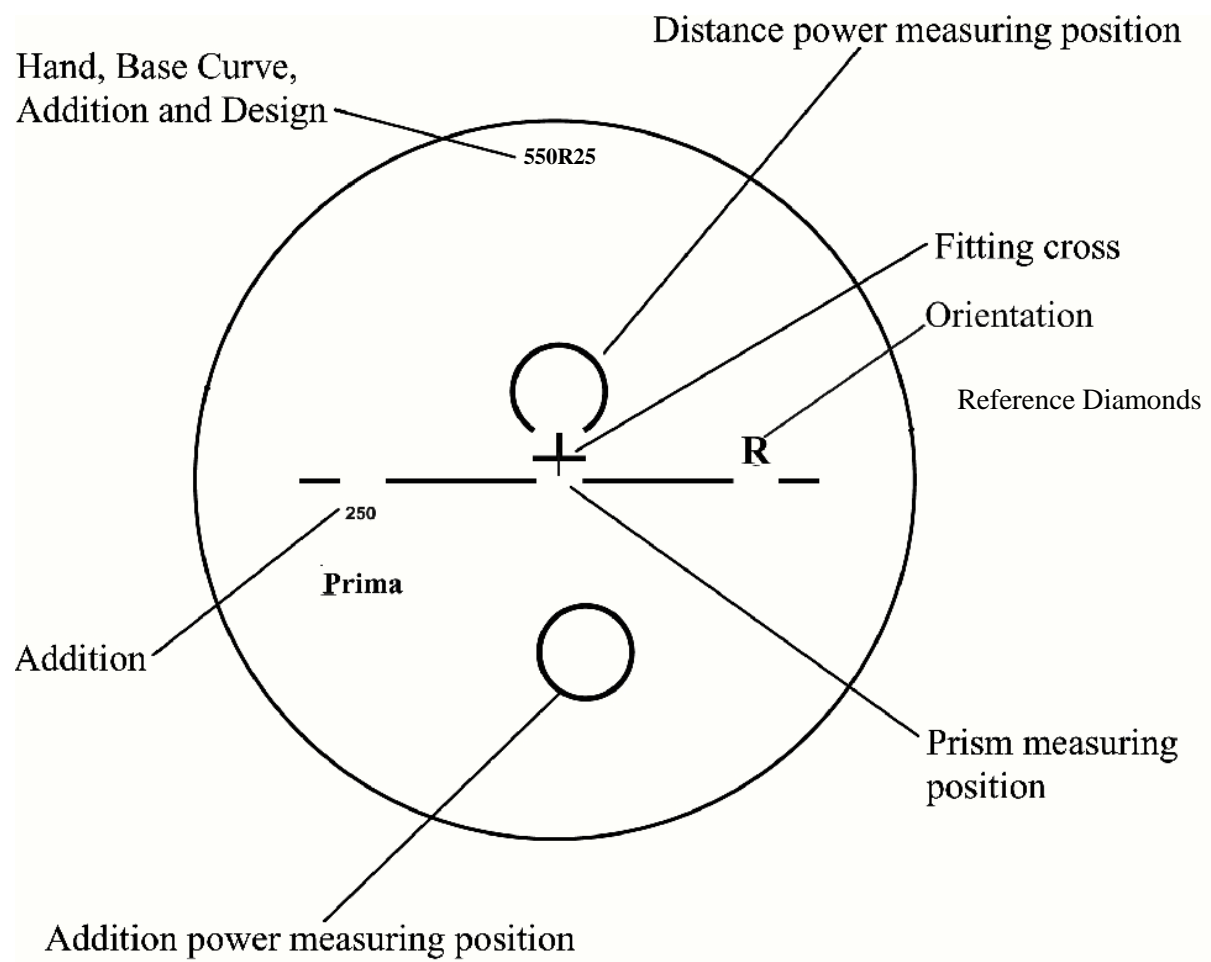
On hard resin lenses the semi-visible permanent markings can be found by viewing the lens at the edge of a fluorescent light.

When the semi-visible reference diamonds have been located, mark the centres with a fine point non-permanent marker; the temporary markings can then be restored using the vinyl remarking templates. Place the reference on the template over the reference diamonds on the lens and smooth the template onto the lens surface to indicate the full set of lens markings.

Alternatively, the temporary markings can be recreated manually, using the Power Verification Markings section of the Techtran Measurement Chart.



## *"Prima" Lens Markings*



*Figure 8*

**TEMPORARY MARKING**

**PERMANENT MARKING**

**PERMANENT SEMI-VISIBLE MARKING**

## ***Verification of Fitting***

When the lenses have been glazed in the frames and the fitting positions remarked, place the spectacles on the patient's face.

Ensure that the fitting crosses are in line with the patient's pupils, adjusting the frame if necessary.

## ***Verification of Power***

The distance vision is checked by placing the distance power measuring position (see Figure 8) over the aperture of the focimeter. Ensure that the fitting line is horizontal when taking your reading for correct axis position.

The near vision is checked by placing the addition power measuring position over the aperture of the focimeter; the addition is then worked out as the difference between the distance and near front vertex power readings.